



The Oventrop Quality Management System is certified to DIN-EN-ISO 9001

Valve inserts for radiators with integrated distributor

Technical information

Tender specification:

Oventrop valve inserts for radiators with integrated distributor and connection thread 1/2".

Type GH with 6 presetting positions

Range of setting visible from the outside, presetting by use of the tool, item no. 118 39 61.

for front connection 101 80 80
for seat diameter 16 H 11 101 80 82
with internal O-ring 101 80 83

Type GHF with fine presetting

With hidden presetting, presetting by use of the tool, item no. 118 07 91.

for front connection 101 80 90
for seat diameter 16 H11 101 80 97

Installation and fitting:

The Oventrop valve inserts item nos. 101 80 80 and 101 80 90 are suitable for the following radiator types:

- | | | |
|-------------------|-----------------|----------|
| - Arbonia | - Dia-therm | - Radson |
| - bremo | - HM-Heizkörper | - Rettig |
| - Caradon-Stelrad | - Hoval | - Runtal |
| - DEF | - Itemar/Biasi | - Vasco |
| - Demrad | - Manaut | |
| - DiaNorm | - Purmo | |

The Oventrop valve inserts item nos. 101 80 82 and 101 80 97 are suitable for the following radiator types:

- | | | |
|------------|----------|--------|
| - Baufa | - Korado | - VEHA |
| - Brugman | - Ribe | |
| - DeLonghi | - Thor | |

The Oventrop valve insert item no. 101 80 83 is suitable for the following radiator types:

- | | | |
|---------------|--------|-----------|
| - Ferroli/IMA | - DURA | - Schäfer |
| - Superia | | |

Other valve inserts for radiators are planned.

The connection thread for the thermostat is M 30 x 1.5. All Oventrop thermostats of the series XH, CH, LH, SH and DH may be used.

Please ensure that fitting of the inserts must be made under clean conditions. Screw valve insert into the radiator and tighten with a 19 mm box spanner to approx. 35 Nm.

Type GH: Setting 0 of type GH corresponds to the normal setting (factory setting).

The hydronic values correspond to those of the insert 4324-03.300 of the company Heimeier.

Set type GH to the desired presetting by using a 13 mm spanner or the Oventrop presetting key, item no. 118 39 61.

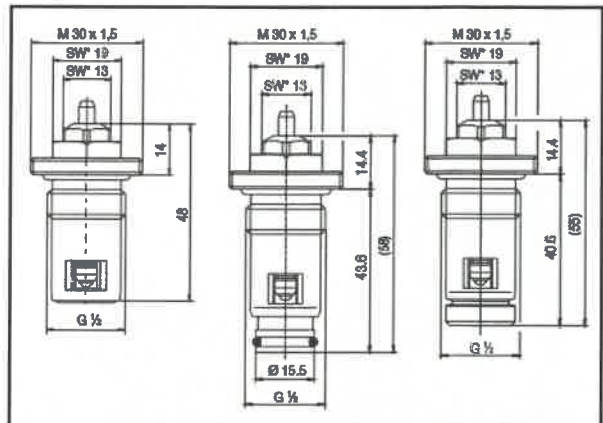
The flow ranges succeed uninterrupted, intermediate positions are neither required nor permissible.

Type GHF: The inserts type GHF are supplied in open position. The hydronic values correspond to those of the Oventrop valves of the "Series F".

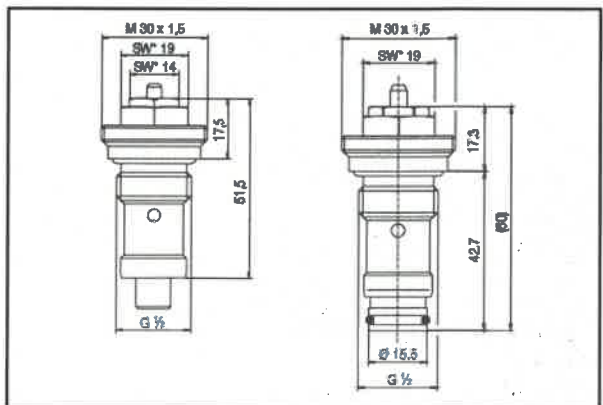
Set type GHF to the desired presetting by using the Oventrop presetting key, item no. 118 07 91. The desired setting must be in line with the indicator mark.



Dimensions:



Type GH, item nos. 101 80 80/82/83



Type GHF, item nos. 101 80 90/97

Accessories:

Designation	Item no.
Presetting key for GH	118 39 61
Presetting key for GHF	118 07 91
Thermostats "Uni XH", "Uni LH", "Uni CH", "Uni SH"	
Thermostats "Uni XH", "Uni LH", "Uni CH" with remote sensor	

*SW = spanner size

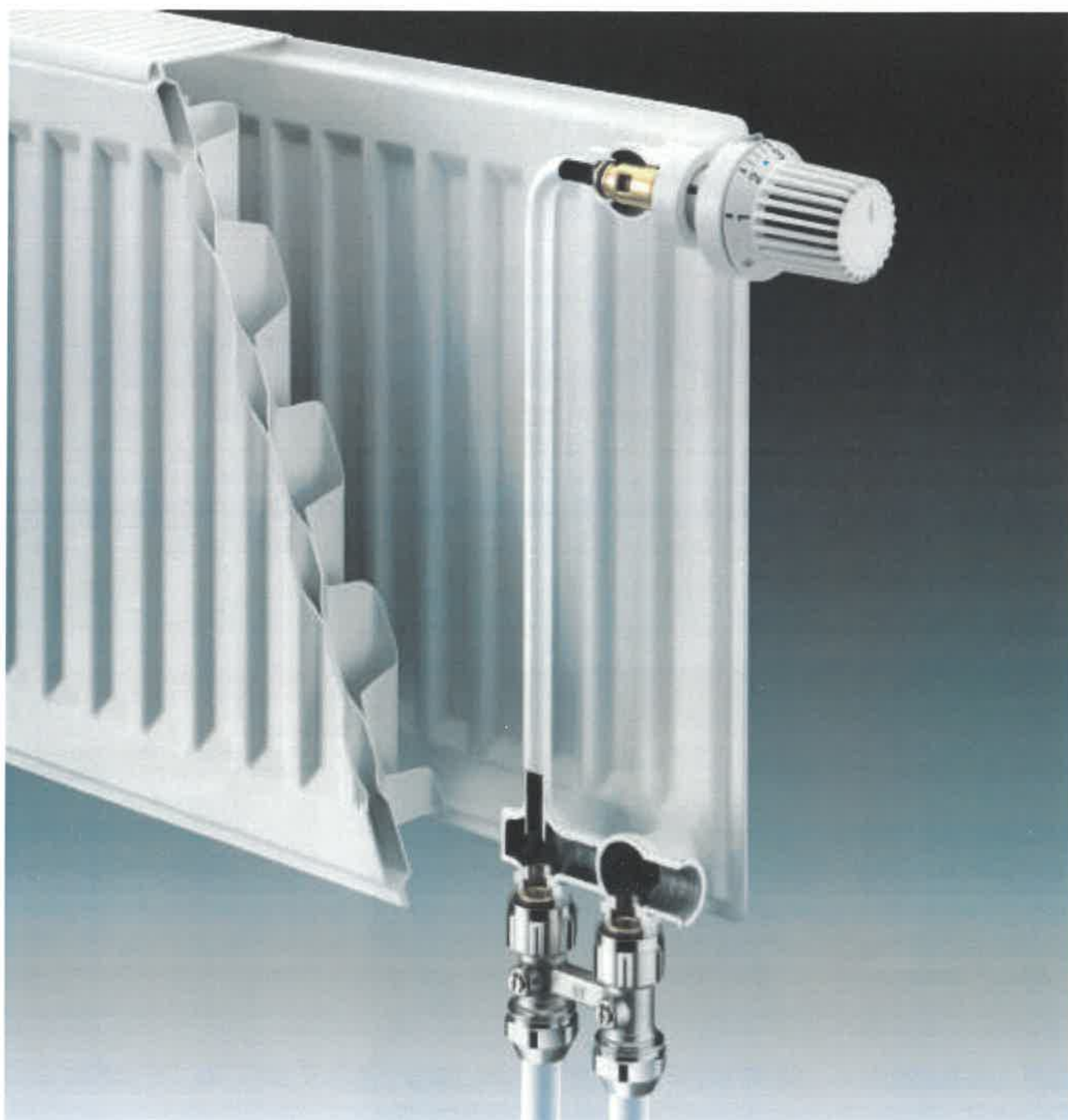
oventrop

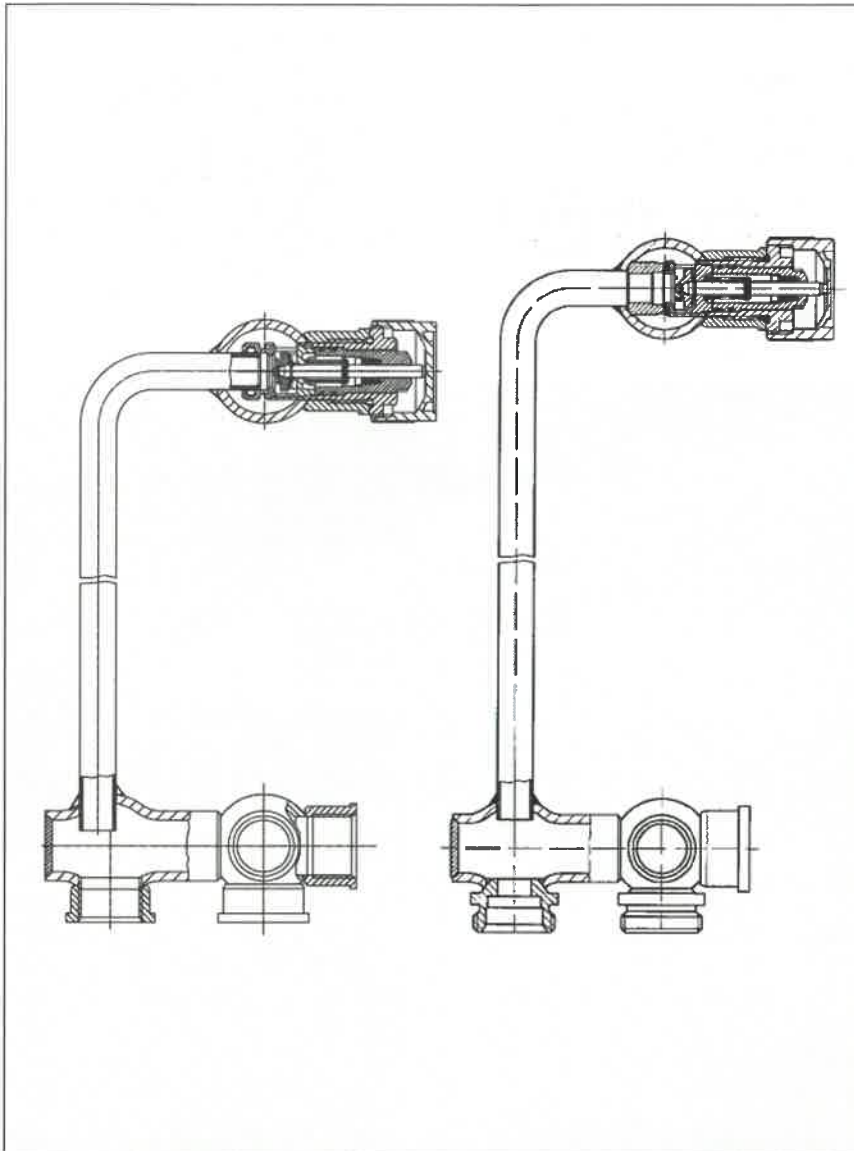
Innovation + Quality

Valves, controls + systems

Radia-Set
Valves and accessories for radiators
with integrated distributors

Product range





Oventrop distributor made of steel, with valve insert for thermostat connection M 30 x 1.5.

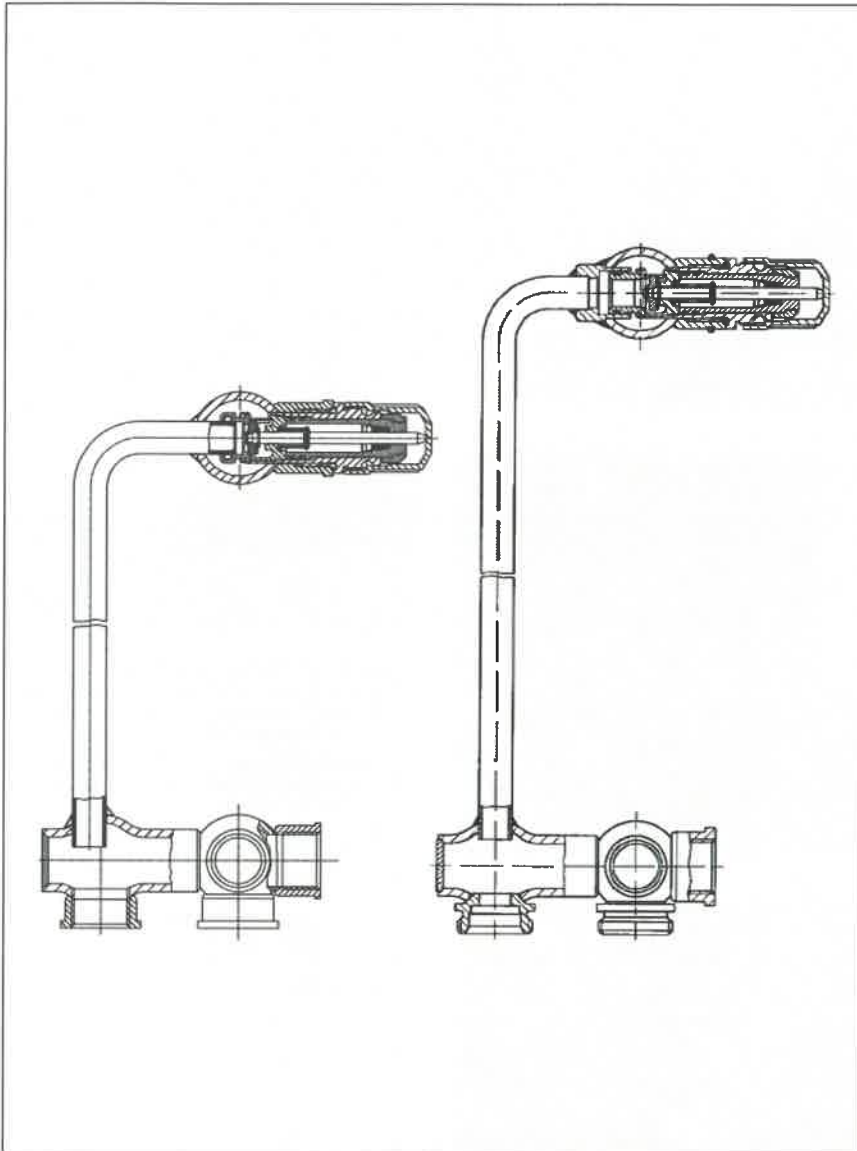
Distributor body with 1/2" female threaded or 3/4" male threaded connection.



Oventrop valve insert with connection for thermostats M 30 x 1.5 and presetting.

Advantages:

- maintenance-free, double O-ring seal
- standard flow rates and usual handling of presetting
- presetting by use of the Oventrop or Heimeier presetting key or a standard 13 mm spanner
- for all standard integrated distributors



Oventrop distributor made of steel, valve insert for thermostats with squeeze connection.

Distributor body with $\frac{1}{8}$ " female or $\frac{1}{8}$ " male threaded connection.



Oventrop valve insert with squeeze connection and presetting.

Advantages:

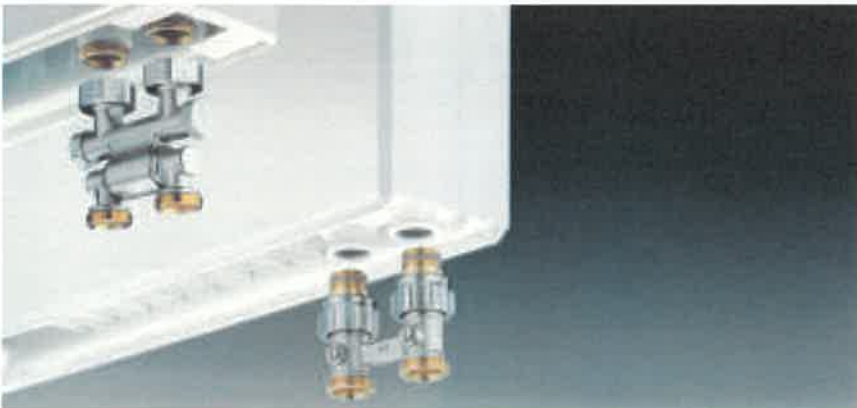
- maintenance-free, double O-ring seal
- standard flow rates and usual handling of presetting
- high selectivity of presetting enabling precise regulation
- for all standard integrated distributors



1



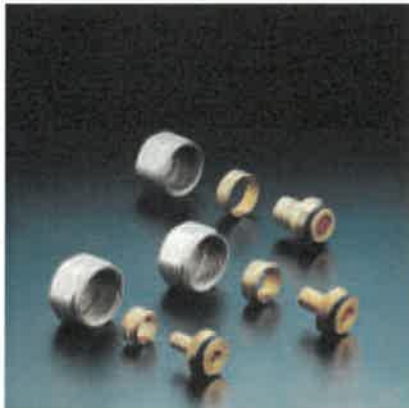
2



3



4



5



6

Oventrop offers all components for standard radiators: thermostats, fittings and compression fittings for all types of pipes.

1 Thermostat "Uni XH/LH"

These thermostats are suitable without adapters for integrated distributors with thread M 30 x 1.5.

2 Thermostat "Uni XD/LD"

These thermostats are suitable without adapters for integrated distributors with squeeze connection.

3 Connection fittings "Multiflex"

With the "Multiflex" program, the radiators with integrated distributors are connected to the plastic, copper or soft steel pipework. A brass nipple is supplied with every fitting for radiators with 1/2" female thread.

Oventrop offers soft sealing fittings "Multiflex F" (foreground) and fittings with metal to metal seal "Multiflex V" (background).

4 Single fittings "Multiflex"

Single fittings can be used on radiators with variable pipe centre distances.

5 Compression fittings for plastic pipes (outer diameter 12–21 mm) with 1/4" thread for the direct connection to the valve sets (see illustr.).

Compression fittings "Cofit" for composition pipe "Copipe" (outer diameter 14, 16 or 20 mm) with 1/4" thread for the direct connection to the valve sets.

Compression fittings with metal to metal seal for copper and precision steel pipes (outer diameter 10–18 mm)

6 Computer programme for calculation of pipework, valve design and sizing of heating surfaces.

More information can be found in the Oventrop Catalogue, product range 1.

Presented by:

